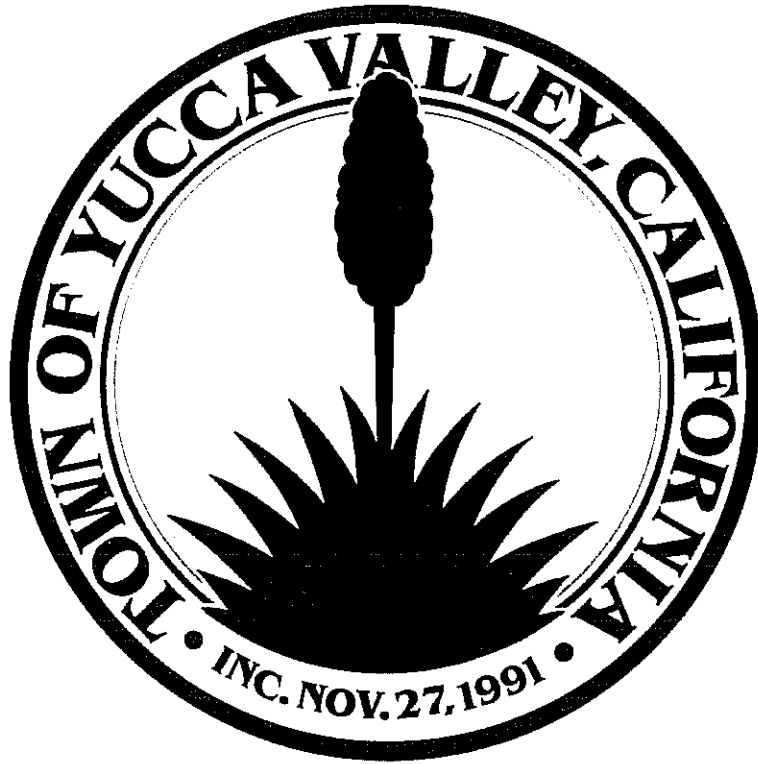


TOWN OF YUCCA VALLEY

STANDARD DRAWINGS



SECTION 300

Section 3 – Utility, Street Light, and Sign Details

<u>Drawing No.</u>	<u>Description</u>
300	Street Light for Major and Arterial Streets
301	Street Light for Collector Streets
302	Street Light for Local Streets
303	Street Light Concrete Footing Details
304	Traffic Signal Pull Box Installation
305	Street Lighting General Notes
310	Fire Hydrant Location
311	Utility Valve Cover Installation
320	Underground Utility Location
321	Street Marker

MAXIMUM LIGHT SPACING SHALL BE 100'

PHOTO CELL CONTROL

8'-0"

150 WATT CLEAR HIGH PRESSURE SODIUM LUMINAIRE WITH 120 VOLT BUILT-IN BALLAST AND INDIVIDUAL PHOTO CELL CONTROL (16,000 LUMENS).

32'-6"
* NOMINAL MOUNTING HEIGHT

* POST CONCRETE - MARBELITE AMERON SERIES 1C3 OR EQUIVALENT

2 #10 THHN COPPER CONDUCTORS
IN NEW SUBDIVISIONS, CONDUCTORS TO BE OF SUFFICIENT LENGTH TO EXTEND 24" OUT OF END OF MAST ARM.

☉ OF STREET LIGHT STANDARD INSPECTION PLATE WITH INLINE FUSE SEE STANDARD NO. 305 & NO. 303

WITHIN SIDEWALK AREA: 1'-6"
WITHIN ISLAND MEDIAN: ☉ OF MEDIAN

TOP OF SIDEWALK, MEDIAN, OR PLANTING STRIP

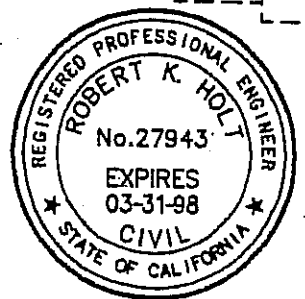
FACE OF CURB

TOP OF TRAVELED WAY

CONC. BASE (SEE STD. NO. 303)

INSTALL CONCRETE PULLBOX SEE STD. NO. 304.

* ALTERNATES TO BE SPECIFICALLY APPROVED BY THE TOWN ENGINEER.



APPROVED: _____ DATE _____

APPROVED: TOWN ENGINEER
Robert K. Holt R.C.E. 27943



Town of
Yucca Valley

STREET LIGHT
FOR
MAJOR AND ARTERIAL STREETS
STANDARD DRAWING NO. 300

REVISION	BY	DATE

MAXIMUM LIGHT SPACING SHALL BE 200'

PHOTO CELL CONTROL

6'-0"

100 WATT CLEAR HIGH PRESSURE SODIUM LUMINAIRE WITH 120 VOLT BUILT-IN BALLAST AND INDIVIDUAL PHOTO CELL CONTROL (9,500 LUMENS).

* POST CONCRETE - MARBELITE AMERON SERIES 1C3 OR EQUIVALENT

28'-0" NOMINAL MOUNTING HEIGHT

2 #10 THHN COPPER CONDUCTORS IN NEW SUBDIVISIONS, CONDUCTORS TO BE OF SUFFICIENT LENGTH TO EXTEND 24" OUT OF END OF MAST ARM.

☉ OF STREET LIGHT STANDARD INSPECTION PLATE WITH INLINE FUSE SEE STANDARD NO. 305 & NO. 303.

WITHIN SIDEWALK AREA: 1'-6"
WITHIN ISLAND MEDIAN: ☉ OF MEDIAN

TOP OF SIDEWALK, MEDIAN, OR PLANTING STRIP

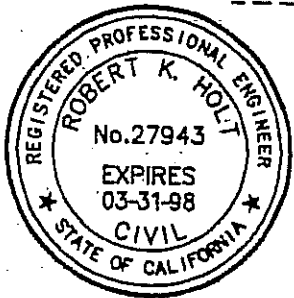
FACE OF CURB

TOP OF TRAVELED WAY

INSTALL CONCRETE PULLBOX SEE STD. NO. 304.

CONC. BASE (SEE STD. NO. 303)

* ALTERNATES TO BE SPECIFICALLY APPROVED BY THE TOWN ENGINEER.



APPROVED: _____ DATE _____

APPROVED: TOWN ENGINEER
Robert K. Holt R.C.E. 27943

REVISION BY DATE



Town of Yucca Valley

STREET LIGHT FOR COLLECTOR STREETS

STANDARD DRAWING NO. 301

MAXIMUM LIGHT SPACING SHALL BE 200'

PHOTO CELL CONTROL

4'-0"

70 WATT, CLEAR HIGH PRESSURE SODIUM LUMINAIRE WITH 120 VOLT BUILT-IN BALLAST AND INDIVIDUAL PHOTO CELL CONTROL (5,800 LUMENS).

* POST CONCRETE - MARBELITE. AMERON SERIES 1C3 OR EQUIVALENT

NOMINAL MOUNTING HEIGHT - UNLESS OTHERWISE NOTED ON THE PLANS
27'-6"

2 #10 THHN COPPER CONDUCTORS IN NEW SUBDIVISIONS, CONDUCTORS TO BE OF SUFFICIENT LENGTH TO EXTEND 24" OUT OF END OF MAST ARM.

☉ OF STREET LIGHT STANDARD INSPECTION PLATE WITH INLINE FUSE SEE STANDARD NO. 305 & NO. 303.

WITHIN SIDEWALK AREA: 1'-6"
WITHIN ISLAND MEDIAN: ☉ OF MEDIAN

TOP OF SIDEWALK, MEDIAN, OR PLANTING STRIP

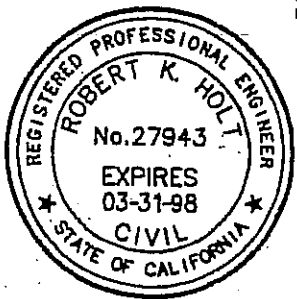
FACE OF CURB

TOP OF TRAVELED WAY

INSTALL CONCRETE PULLBOX SEE STD. NO. 304.

CONC. BASE (SEE STD. NO. 303)

* ALTERNATES TO BE SPECIFICALLY APPROVED BY THE TOWN ENGINEER.



APPROVED: _____ DATE _____

APPROVED: TOWN ENGINEER
Robert K. Holt R.C.E. 27943



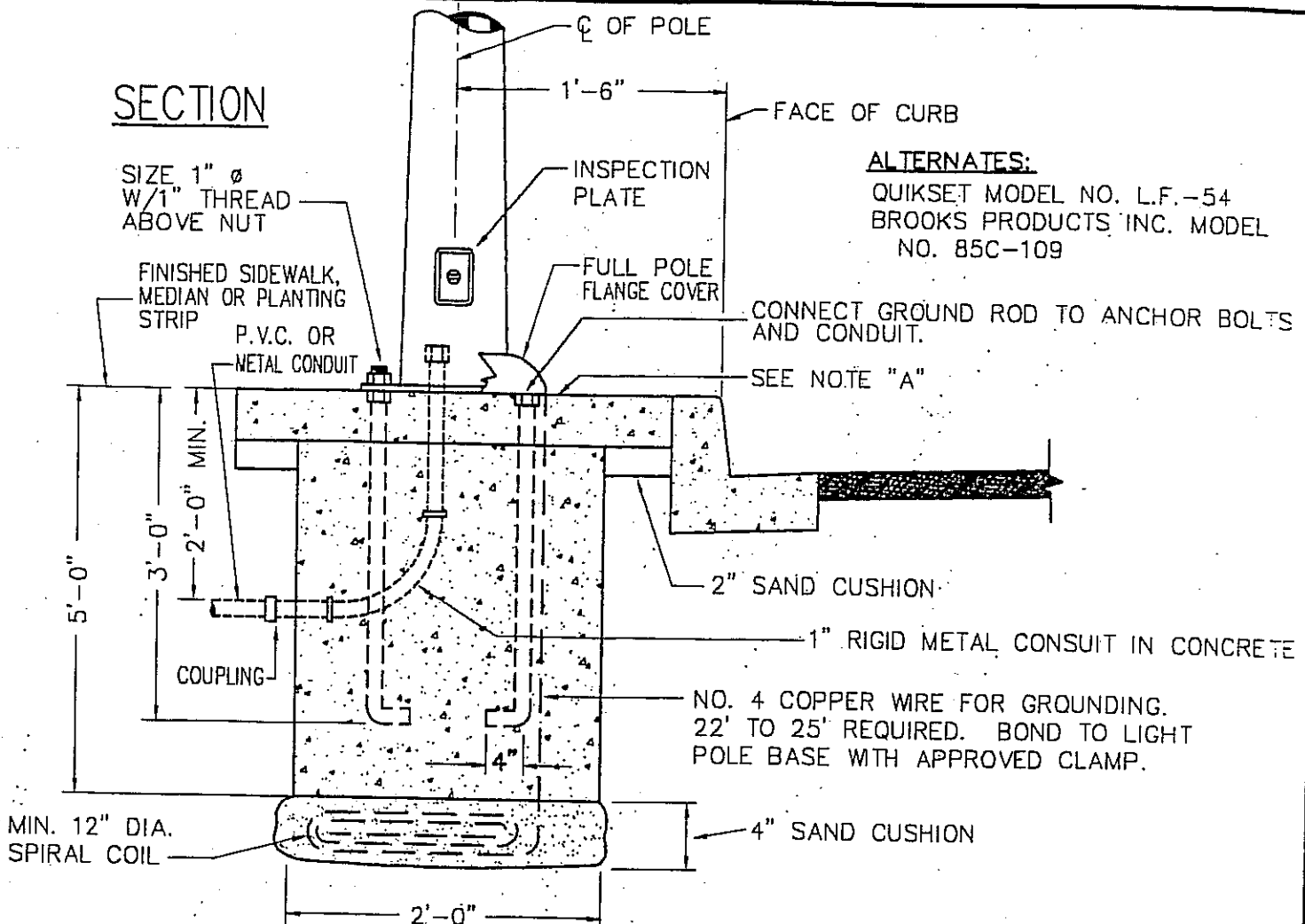
Town of Yucca Valley

STREET LIGHT FOR LOCAL STREETS

STANDARD DRAWING NO. 302

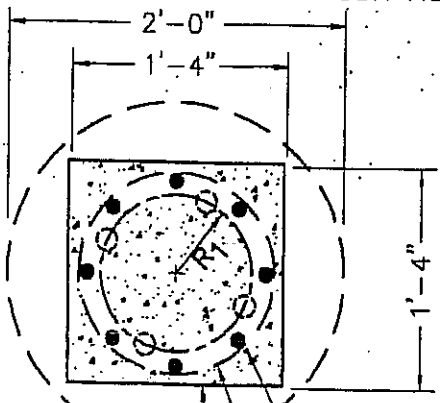
REVISION	BY	DATE

SECTION



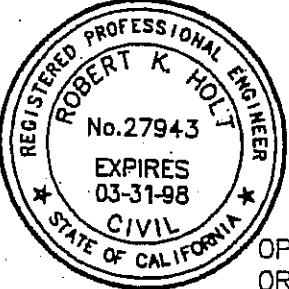
ALTERNATES:
 QUIKSET MODEL NO. L.F.-54
 BROOKS PRODUCTS INC. MODEL NO. 85C-109

PLAN



NOTES:
 A. IN UNDEVELOPED AREAS, CONSTRUCT A 2' x 2' CONC. PAD (4" THICK). IF ROUND FOOTING IS POURED, STOP AT THE ELEVATION OF BOTTOM OF THE SIDEWALK.
 R₁ = ANCHOR BOLT DIA. DIMENSION R AND BOLT PATTERN TO SUIT POLE BASE FURNISHED.

OPTIONAL SQUARE OR ROUND FOOTING
 8 #4 VERTICAL
 #3 HOOPS @ 12" C.C.



APPROVED: _____ DATE _____
 APPROVED: TOWN ENGINEER
Robert K. Holt R.C.E. 27943

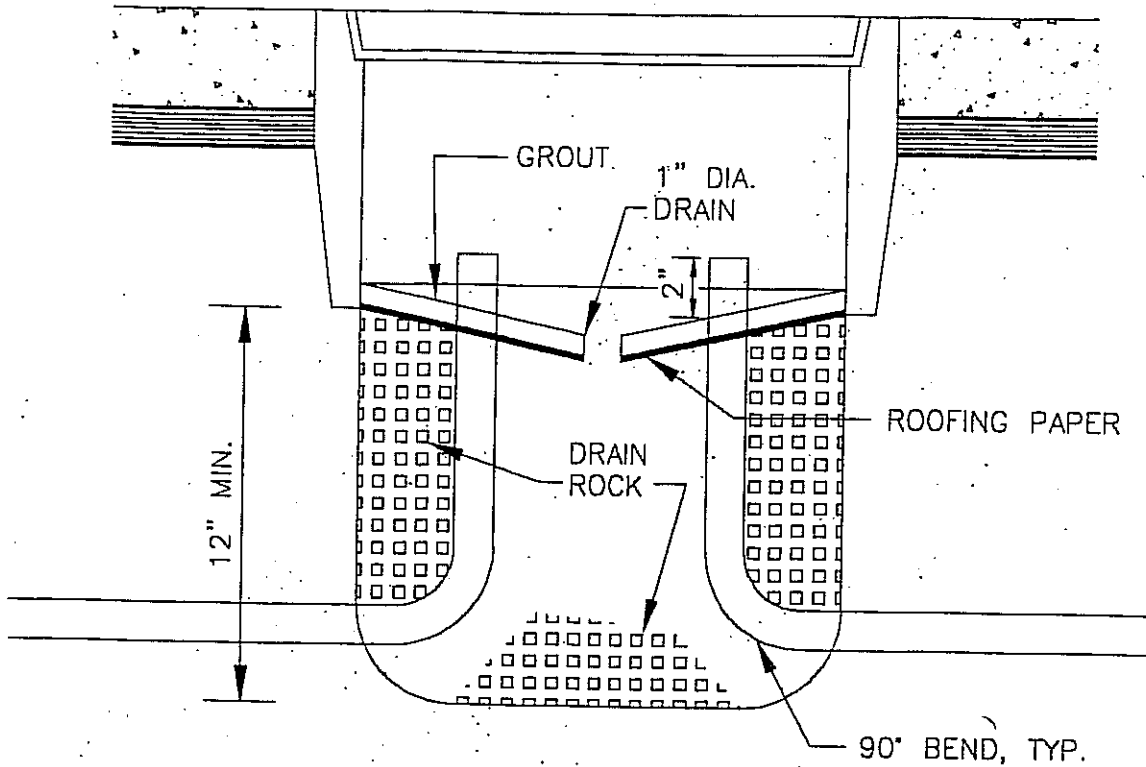


Town of
Yucca Valley

STREET LIGHT
 CONCRETE FOOTING DETAILS

STANDARD DRAWING NO. 303

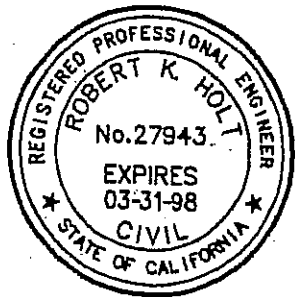
REVISION _____ BY _____ DATE _____



NO. 5 CONCRETE PULLBOX

NOTES:

- DESIGN SHALL CONFORM TO THESE REQUIREMENTS EXCEPT AS OTHERWISE APPROVED BY THE TOWN ENGINEER.



APPROVED: _____ DATE _____

APPROVED: TOWN ENGINEER
Robert K. Holt R.C.E. 27943

REVISION	BY	DATE



Town of
Yucca Valley

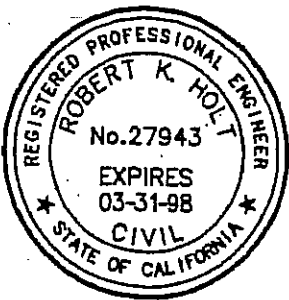
TRAFFIC SIGNAL
 PULL BOX INSTALLATION

STANDARD DRAWING NO. 304

GENERAL NOTES:

1. ALL WIRING METHODS AND EQUIPMENT CONSTRUCTION SHALL CONFORM TO THE NATIONAL ELECTRICAL CODE.
2. ALL CONDUIT TO BE USED SHALL BE A MINIMUM OF 2" DIAMETER, SCHEDULE 40 P.V.C., EXCEPT FROM EACH STREET LIGHT TO ADJACENT PULL BOX WHICH MAY BE 1" DIAMETER P.V.C. OR METAL, AND SHALL HAVE THE FOLLOWING COVER FROM TOP OF CONDUIT.
 - A. WITHIN SIDEWALK OF PARKWAY AREAS: 2'-0" MIN.
 - B. WITHIN ROADWAY AREAS: 4'-0" MIN.
3. ALL METAL CONDUIT AND OTHER METAL PARTS SHALL BE CONTINUOUSLY BONDED AND GROUNDED.
4. ALL BENDS AND/OR OFFSETS SHALL BE MADE WITH FACTORY SECTIONS.
5. UNLESS OTHERWISE APPROVED BY THE TOWN ENGINEER, A NO. 5 PULL BOX (STATE STD. ES-8) SHALL BE USED AT ALL STREET LIGHT STANDARDS.
6. ALL PULL BOXES SHALL BE PER STD. 304.
7. JUNCTION BOXES TO BE NOT MORE THAN 250 FEET APART ON LONG RUNS.
8. WHEN PULL BOXES ARE SUBJECT TO VEHICULAR TRAFFIC, THEY SHALL BE SET ON CONCRETE FOOTINGS AND CAST IRON TRAFFIC COVERS SHALL BE INSTALLED.
9. ALL SPLICES TO BE APPROVED SOLDERLESS WATERPROOF CONNECTORS OF PROPER SIZE. (EXAMPLE: WIRENUT OR SPLIT BOLT PLUS TAPE PLUS COATING.)
10. ALL EMPTY CONDUITS SHALL HAVE A 1/4" NYLON PULL ROPE PROVIDED INSIDE.
11. ALL CONDUITS SHALL BE SEALED WITH AN APPROVED DUCT SEAL. CONDUITS STUBBED FOR FUTURE EXTENSION SHALL BE CAPPED.
12. ALL STREET LIGHTING PROJECTS ARE SUBJECT TO APPROVAL BY THE TOWN ENGINEER.
13. ALL PULLBOX COVERS SHALL BE SECURED WITH BRASS HOLD DOWN BOLTS AND INSCRIBED, "STREET LIGHTING".
14. ALL STREET LIGHTS EQUIPPED WITH A PHOTOCCELL CONTROL SHALL HAVE THE PHOTOCCELL ORIENTED TO THE NORTH.
15. ALL WIRE SHALL BE THHN A.W.G. WITH THE MINIMUM SIZE TO BE #8.
16. LIGHT POLES ON ALL STREETS OTHER THAN MINOR STREETS OR CUL-DE-SACS SHALL BE GALVANIZED STREET STANDARDS IN ACCORDANCE WITH TOWN STANDARD PLANS.
17. THE DEVELOPER/ENGINEER SHALL MAKE ARRANGEMENTS FOR SERVICE POINTS WITH S.C.E. THE DEVELOPER SHALL BE RESPONSIBLE FOR ALL COSTS ASSOCIATED THEREWITH WHICH SHALL BE PAID DIRECTLY TO S.C.E. THE CONTRACTOR SHALL VERIFY THE STREET LIGHT SERVICE POINT LOCATION(S) WITH S.C.E. PRIOR TO INSTALLATION.
18. DEVELOPER SHALL INSTALL, IN ACCORDANCE WITH TOWN STANDARDS, CONCRETE FOUNDATIONS, GALVANIZED STEEL POLES, APPROPRIATE MAST ARM LENGTHS, AND WIRING, LEAVING 2' OF WIRING EXTENDING FROM THE MAST ARM TO ALLOW CONNECTION TO THE LUMINAIRE BY S.C.E. FORCES AT A LATER DATE.
19. NEW DEVELOPMENTS LOCATED WITHIN AN EXISTING DEVELOPED AREA SHALL INSTALL THE ENTIRE LIGHTING SYSTEM, INCLUDING LUMINAIRES.
20. ALL STREET LIGHT SYSTEMS SHALL BE DESIGNED FOR 120 VOLT SERVICES UNLESS CONNECTING TO AN EXISTING SYSTEM. IN THE LATTER CASE, THE DESIGN SHALL CONFORM TO THE SYSTEM BEING CONNECTED TO AND MUST BE SPECIFICALLY APPROVED BY THE TOWN ENGINEER.
21. THE CURRENT TO BE USED TO DETERMINE CONDUCTOR SIZE SHALL BE DETERMINED AS FOLLOWS:

$$\frac{\text{TOTAL WATTAGE OF FIXTURES SERVED}}{\text{SERVICE VOLTAGE}} \times 3.5$$



APPROVED: _____ DATE _____

APPROVED: TOWN ENGINEER
Robert K. Holt
 R.C.E. 27943

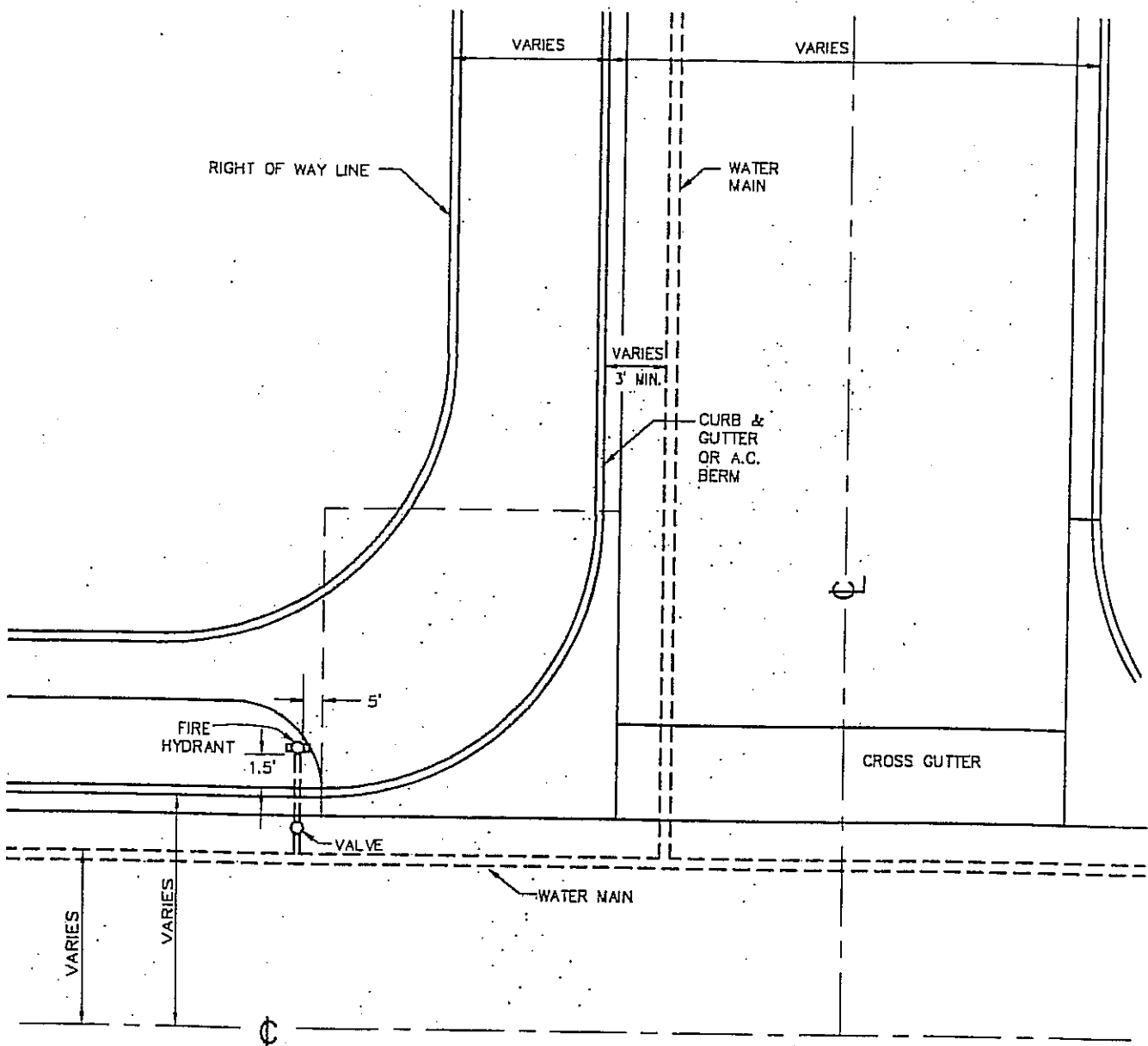
REVISION	BY	DATE



Town of
Yucca Valley

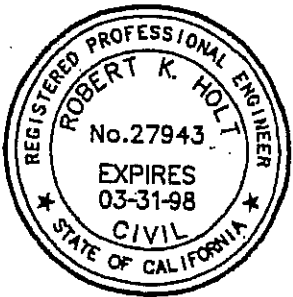
STREET LIGHTING
 GENERAL NOTES

STANDARD DRAWING NO. 305



NOTES:

1. LOCATION OF WATER LINES AND VALVES SHALL BE SHOWN ON THE PLAN VIEW FOR SUBDIVISION IMPROVEMENT PLANS. SEE HEALTH DEPARTMENT STANDARDS, SECTION 7, DISTRIBUTION SYSTEMS, FOR MINIMUM DEPTH.
2. HYDRANT TO BE SET PLUMB WITH NOZZLE A MINIMUM OF EIGHTEEN (18") INCHES ABOVE GROUND LEVEL. WHEN HYDRANTS ARE PLACED BEFORE GRADING IS COMPLETED, THE FINAL GRADE LINE AND ACCESSIBILITY SHOULD BE CONSIDERED.
3. NO OBSTRUCTIONS SUCH AS POLES, GUY LINES, ETC. SHOULD BE PLACED CLOSER THAN FIVE (5') FEET TO HYDRANT.



APPROVED: _____ DATE _____

APPROVED: TOWN ENGINEER
Robert K. Holt R.C.E. 27943

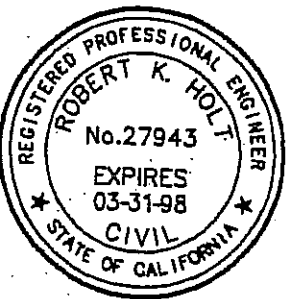
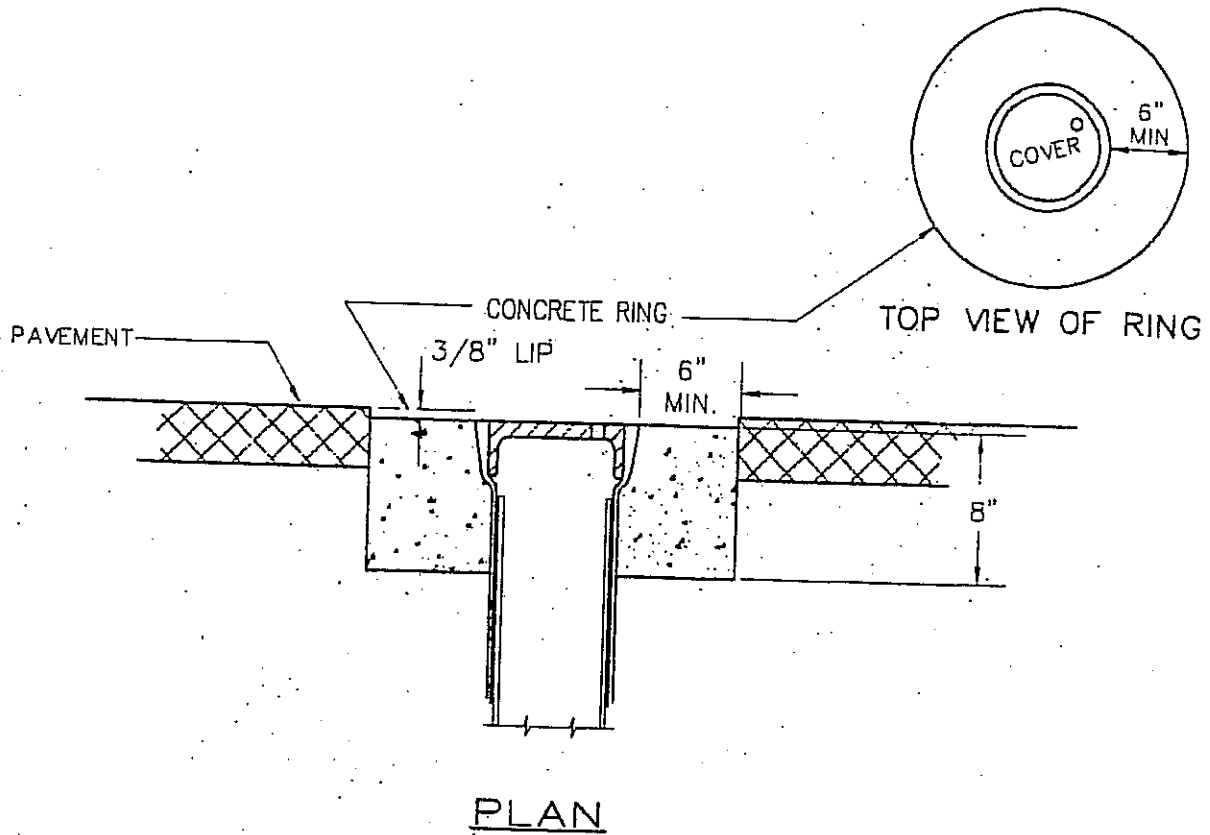
REVISION	BY	DATE



Town of
Yucca Valley

FIRE HYDRANT
 LOCATION

STANDARD DRAWING NO. 310



APPROVED: _____ DATE _____

APPROVED: TOWN ENGINEER
Robert K. Holt R.C.E. 27943

REVISION	BY	DATE

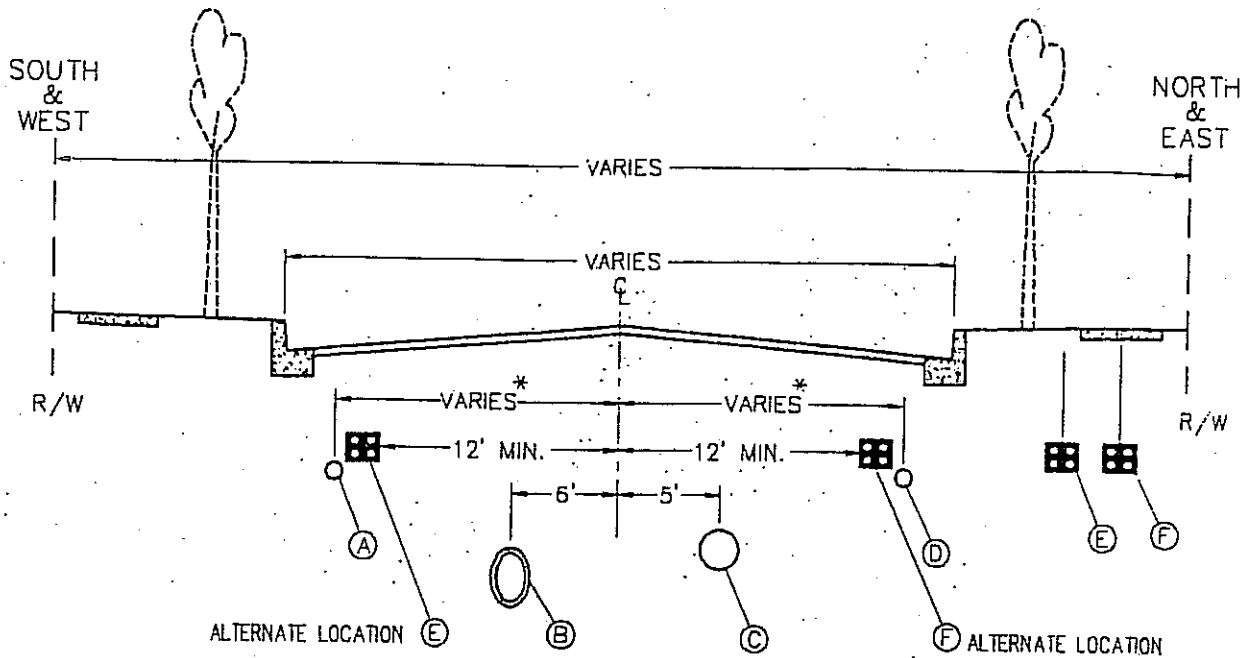


Town of
Yucca Valley

UTILITY
 VALVE COVER INSTALLATION

STANDARD DRAWING NO. 311

RECOMMENDED UTILITY LOCATION



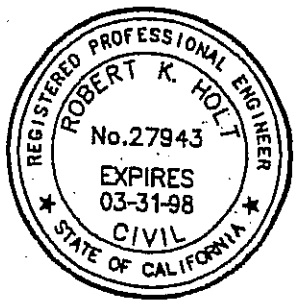
UTILITY	MIN. COVER
(A) WATER	30"
(B) STORM DRAIN	VARIES
(C) SEWER	VARIES
(D) GAS	30"
(E) POWER	36"
(F) TELEPHONE-CATV	30"

RECOMMENDED UTILITY INSTALLATION SCHEDULE

1. STORM DRAIN
2. SEWER
3. POWER & TELEPHONE
4. CURB & GUTTER
5. WATER
6. GAS
7. PAVING

NOTES:

1. WHERE ULTIMATE STREET IMPROVEMENTS ARE TO BE CONSTRUCTED, MINIMUM COVER OF UTILITY LINES MAY BE VARIED TO FACILITATE INSTALLATION.
2. THE UTILITY COMPANIES SHALL MAKE EVERY EFFORT TO LOCATE THEIR FACILITIES IN THE RECOMMENDED LOCATIONS, PARTICULARLY IN NEW SUBDIVISIONS.
3. EDISON AND TELEPHONE UTILITIES MAY USE A COMMON TRENCH. ALTERNATE LOCATION MAY BE EITHER THE EDISON POSITION OR THE TELEPHONE POSITION.
- * 4. VARIES 3' FROM THE CURB FACE TO 14' FROM C.
5. THE CENTER 24' OF STREET SHALL BE RESERVED FOR SEWER AND STORM DRAIN INSTALLATION.
6. SURFACE OF VAULT OR MANHOLE MUST MATCH PAVEMENT AND PARKWAY GRADES.
7. REPAIR OF TRENCHES AND REPLACEMENT OF PAVED SURFACING IN EXISTING ROADS SHALL BE IN ACCORDANCE WITH CURRENT "SPECIFICATIONS FOR TRENCH REPAIR."
8. WHENEVER POSSIBLE, MANHOLE COVERS SHALL NOT BE PLACED WITHIN THE SIDEWALKS.



APPROVED: _____ DATE _____

APPROVED: TOWN ENGINEER
Robert K. Holt R.C.E. 27943

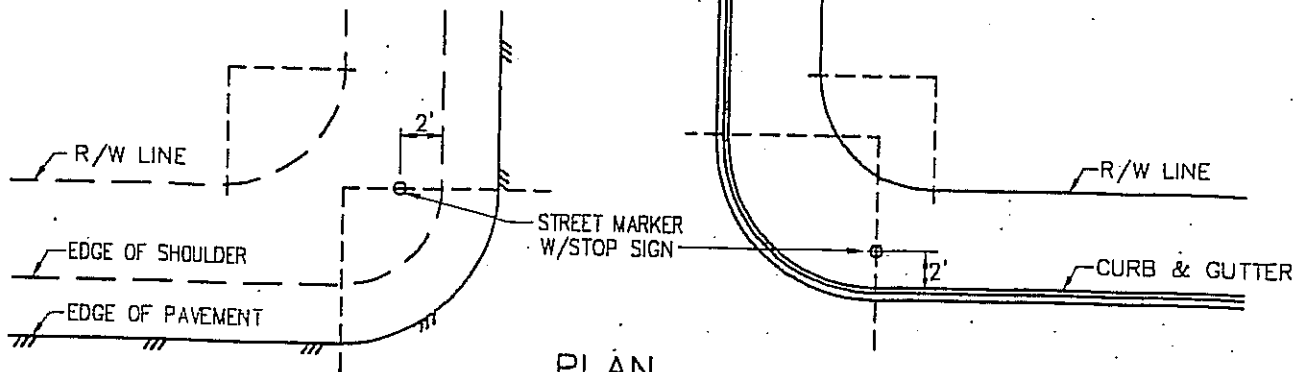
REVISION	BY	DATE



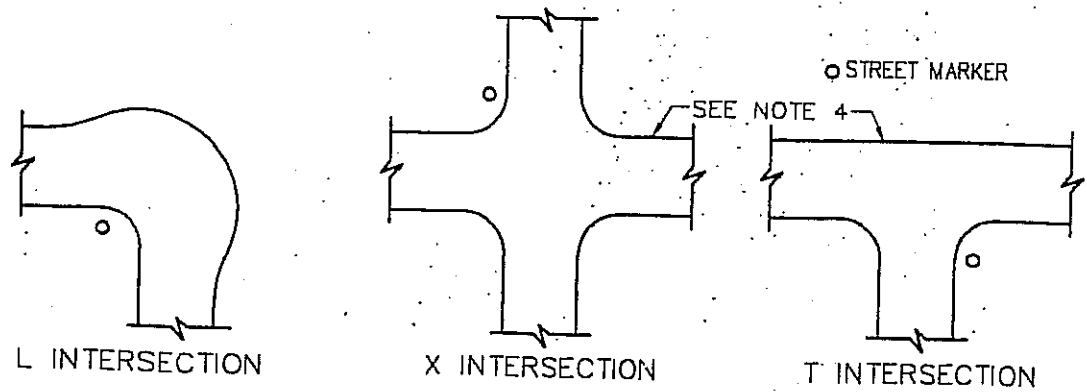
Town of
 Yucca Valley

UNDERGROUND
 UTILITY LOCATION

STANDARD DRAWING NO. 320

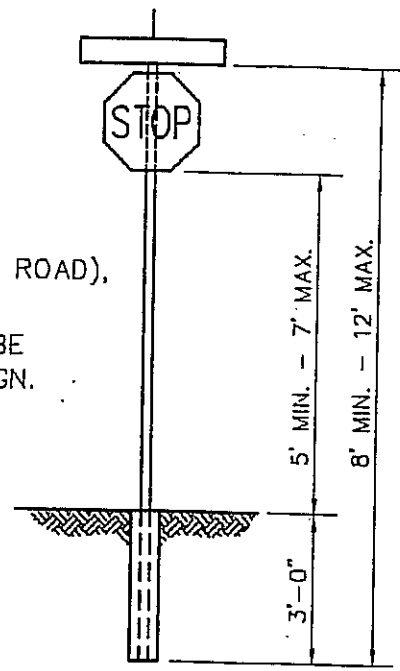


PLAN

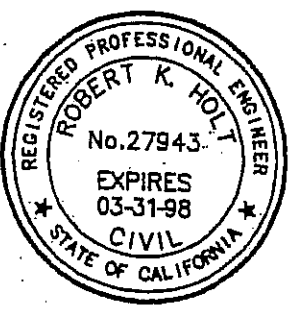


TYPICAL LOCATION

- NOTES:
1. MARKER TO BE SET ON TOWN RIGHT OF WAY.
 2. LOCATION OF MARKER SHOWN IS APPROXIMATE.
 3. MARKERS TO BE VISIBLE FOR A DISTANCE OF 150 FEET.
 4. IF EITHER ROAD IS DIVIDED INTO 4 LANES OR MORE (MAJOR ROAD), ADDITIONAL MARKERS WILL BE REQUIRED.
 5. STREET MARKERS LOCATED AT MAJOR INTERSECTIONS WILL BE MOUNTED ON 12 FOOT POSTS TO ACCOMMODATE A STOP SIGN.



ELEVATION



APPROVED: _____ DATE _____

APPROVED: TOWN ENGINEER
Robert K. Holt
 R.C.E. 27943

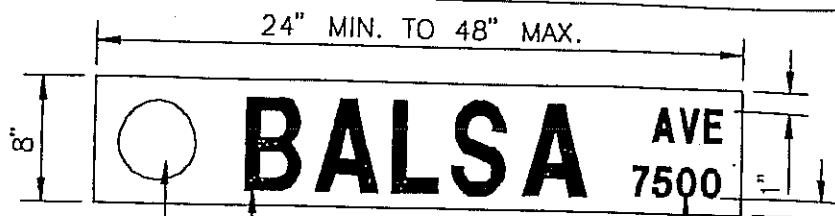


Town of
Yucca Valley

STREET MARKER

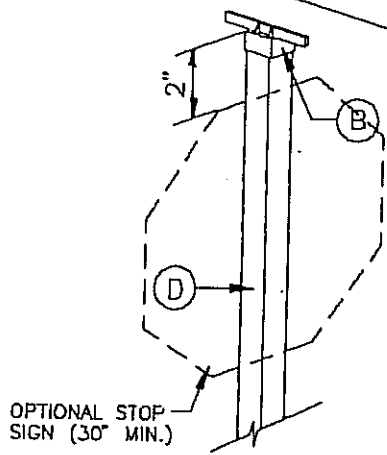
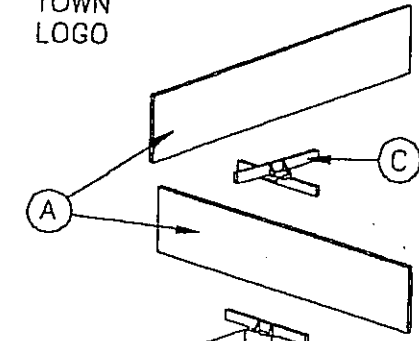
REVISION	BY	DATE

STANDARD DRAWING NO. 321



5" DIA. TOWN LOGO

6" UPPERCASE STANDARD LETTERS, SERIES-B



OPTIONAL STOP SIGN (30" MIN.)

APPROVED BY: _____

TOWN ENGINEER _____

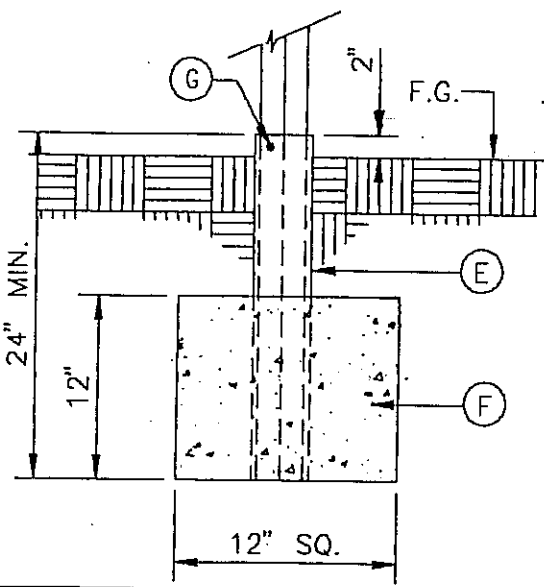
DATE _____

2" UPPERCASE STANDARD NUMBERS & LETTERS, SERIES-B

- (A) 8" FLAT BLADE SIGN BLANK
- (B) ONE PIECE CAST ANODIZED ALUMINUM POST CAP WITH FOUR 3/8" STAINLESS STEEL ALLEN HEAD SET SCREWS.
- (C) ONE PIECE ANODIZED ALUMINUM CENTER CROSS SADDLE WITH FOUR 3/8" STAINLESS STEEL ALLEN SET SCREWS
- (D) 2" SQUARE QUICK PUNCH POST (L=10')
- (E) 2-1/4" SQUARE SOLID GALVINIZED POST BASE
- (F) ONE CUBIC FOOT MIN. P.C.C. (520-C-2500)
- (G) DRIVE RIVETS OR BOLT IN CENTER OF POST, APPROX. 1" FROM TOP OF POST BASE

NOTES

- ALL LETTERS, NUMBERS AND LOGOS SHALL BE WHITE, ENGINEER GRADE, 3M SCOTCHLITE HEAT-ACTIVATED REFLECTIVE SHEETING (O.A.E.)
- THE SIGN BACKING SHALL BE BLUE, ENGINEER GRADE, 3M SCOTCHLITE HEAT-ACTIVATED REFLECTIVE SHEETING. (O.A.E.)
- SIGN BLANKS SHALL BE FLAT BLADE CONSTRUCTED OF 1/8" INCH (.125) THICK ANODIZED ALUMINUM.



REVISIONS	
BY	DATE



TOWN OF YUCCA VALLEY

STREET NAME SIGN & POST

STANDARD DRAWING NO. 322

SHEET 1 OF 2